

Masport®

OPC ROTARY MOWERS

SERIES 21 - OPC

	<u>Part number</u>	<u>Model</u>	<u>Engine</u>
MASPORT	579989	800ST MSV SPV	B & S XVS 60

Month and Year of First Manufacture - July 2009
SERIAL NUMBER FROM - 7235309



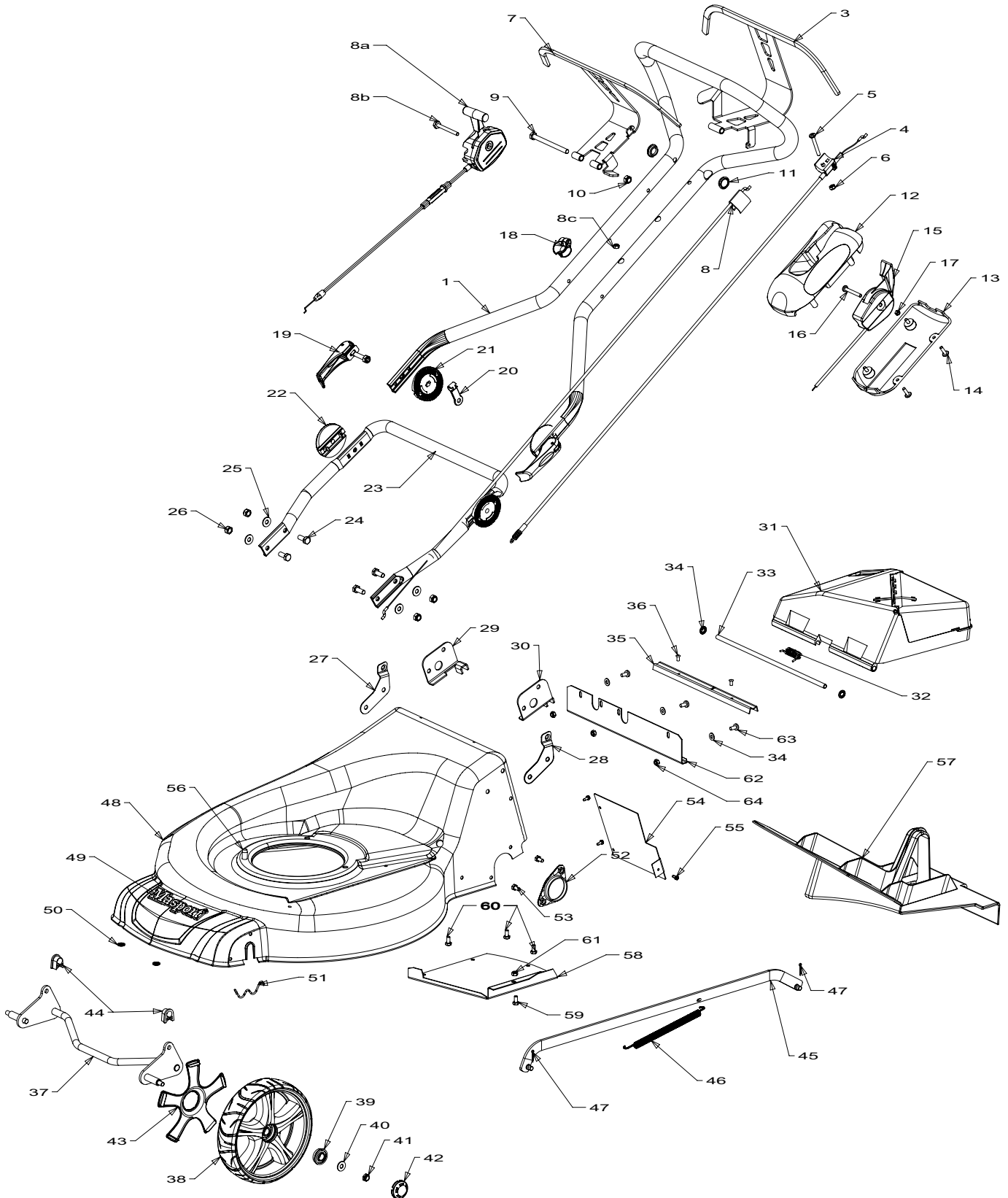
*Note: Photo Shows
Single Speed Mower*



800ST MSV SPV
Powered by: B & S XVS 60

Masport

Issue B
July 2011 BH
REF # 779989S



When ordering PLEASE QUOTE PART NUMBER & Description, NOT Illustration No.
Determine right or left hand side from standing in operating position (standing at handle)



800ST MSV SPV
Powered by: B & S XVS 60

Masport

Issue B
July 2011 BH
REF # 779989S

Item No	Part No	Description	Qty	Item No	Part No	Description	Qty
1	779071	Handle & Sleeve Assy, OPC	1			__==__	
3	979279	Bail Arm Assy, SP MSV	1	37	583281	Axle Assy, Front 200mm Thrd	1
4	583570	Cable- Clutch, Thumb Wheel	1	38	579203	Wheel Assy- 200mm BB Mag Siv	2
5	503604	Screw, Pan M6x45 Poz ZP	1	39	551212	Bearing- Wheel, Ball Type	4
6	501764	Nut, M6 Nylocx 6 Thck	1	40	501606	Washer, Flat 8x19x1.6	2
7	579278	Bail Arm Assy, OPC MSV	1	41	503831	Nut, M8 Hex Nyloc 6 Thck	2
8	579782	Cable- Engine, OPC Push On	1	42	579204	Hub Cap, Button Mag Silver	2
8a	773388	Control-Speed x 8 SPV ASSY	1	43	579205	Cover- Inner, Wheel	2
8b	503684	*Screw, Set M6x60	1	44	580030	Bush- Pivot, Axle	2
8c	501764	*Nut, M6 Hex Nyloc	1	45	573814	Rod Assy, Connecting 540 SP	1
9	503883	Bolt, Hex M8x100	1	46	573846	Spring, Counter Balance SP	1
10	501793	Nut, M8 Hex Nyloc 8 Thck	1	47	501056	Pin Cotter 2.3Dx16	2
11	503882	Grommet, Blanking 3/4"(19mm)	2			__==__	
12	583351	Mount- Throttle, Top	1	48	973432	Housing-StlT21"XF FS TTNM	1
13	583340	Cover- Throttle, Bottom	1	49	581240	Nameplate, Masport	1
14	503650	Screw, S/T #12X11/16"	4	50	503150	Clip- Starlock, 5 Dia	2
15	583458	Control- Throttle, Wescon	1	51	529674	Retainer- Axle, Front "W"	2
16	503604	Screw, Pan M6x45 Poz ZP	1	52	581178	Retainer, Axle Rear	2
17	501764	Nut, M6 Nylocx 6 Thck	1	53	501959	Screw, M6x12 Hex	4
18	703856	Comfort Start Kit	1	54	573579	Tunnel- GBox Cover 21" Stl	1
19	779755	Cam Lock Assy MSV	2	55	503834	Screw, S/T M4x10 Washer	3
20	581527	Retainer- Clutch Cable	1	56	580453	Screw, S/T 3/8x1-1/8 UNC TRIBLK	3
21	581660	Disc- Locking, Outer	2	57	573389	Insert- Mulching, 21" Stl SP	1
22	581659	Disc- Locking, Inner	2	58	573285	Cover Belt 540 ST	1
		__==__		59	501959	Screw, Set M 6x12	1
23	982418	Handle- Lower, "U" Adj 19"	1	60	503834	Screw, Set M 4x10	3
24	501597	Screw, Set M8x20 Hex	4	61	501764	Nut, M6 Hex Nyloc	1
25	501606	Washer, Flat 8x19x1.6	4	62	571048	Hook 19/21" Aero Catcher	1
26	501793	Nut, M8 Nylocx 8 Thck	4	63	503591	Screw Pan M6 x 12	3
27	579210	Bracket- Flap, RH 19"	1	64	501703	Washer Flt, 6 x 14 x 1.2	3
28	579209	Bracket- Flap, LH 19"	1	65	501764	Nut M6 Hex Nyloc	3
29	573436	Bracket- RH, 19/21" ST Aero	1			NOT ILLUSTRATED	
30	573435	Bracket- LH, 19/21" ST Aero	1			569324	Owners Manual
		__==__					
31	982414	Flap- Assy, Smart Chute MSV	1				
32	583343	*Spring, Flap 19"	1				
33	579208	*Wire- Flap, Pivot 8x320	1				
34	501365	*Clip- Starlock, 5/16"	2				
35	579211	Seal-Flap, Dust Plastic 19"	1				
36	581369	Rivet- Pop 4.8x3.2	2				

Bold Text = Assemblies
Bulleted Text = Items included in Assemblies

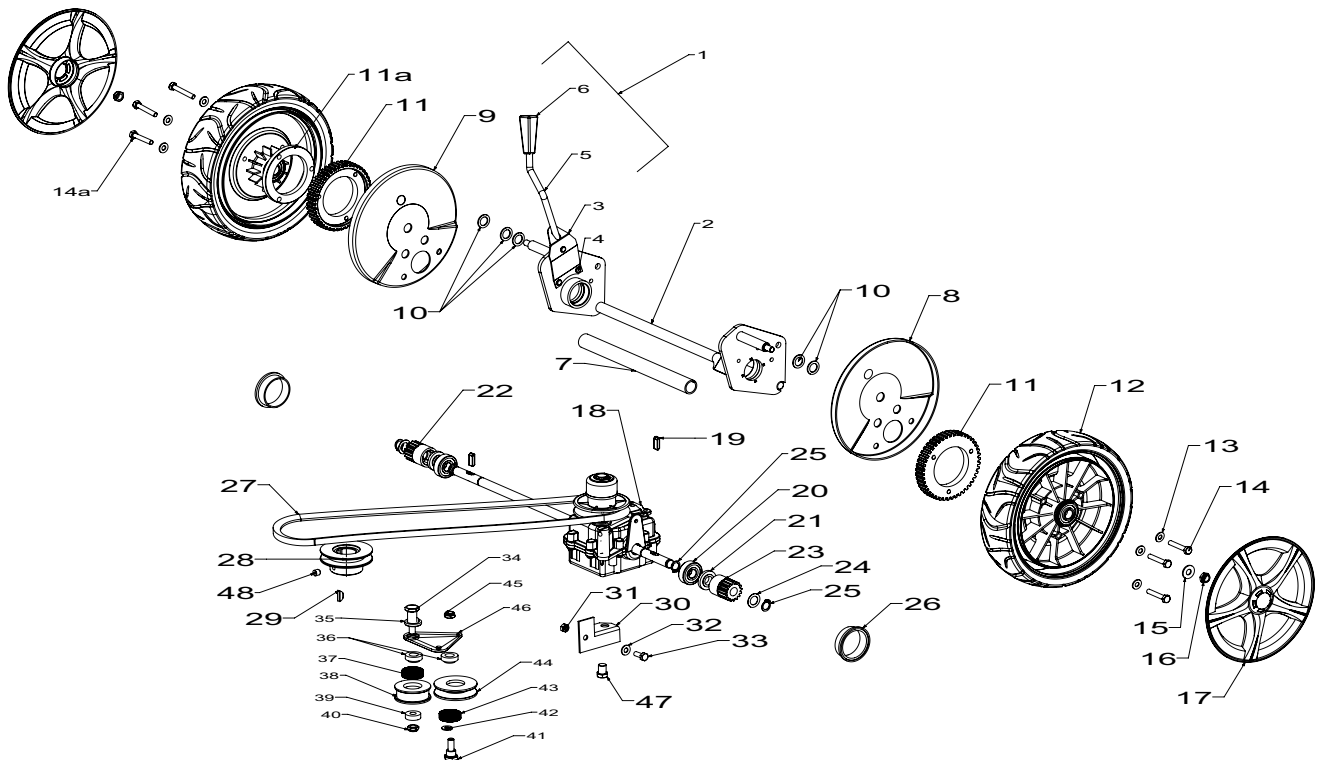
When ordering PLEASE QUOTE PART NUMBER & Description, NOT Illustration No.
Determine right or left hand side from standing in operating position (standing at handle)



800ST MSV SPV
Powered by: B & S XVS 60

Masport

Issue B
July 2011 BH
REF # 779989S

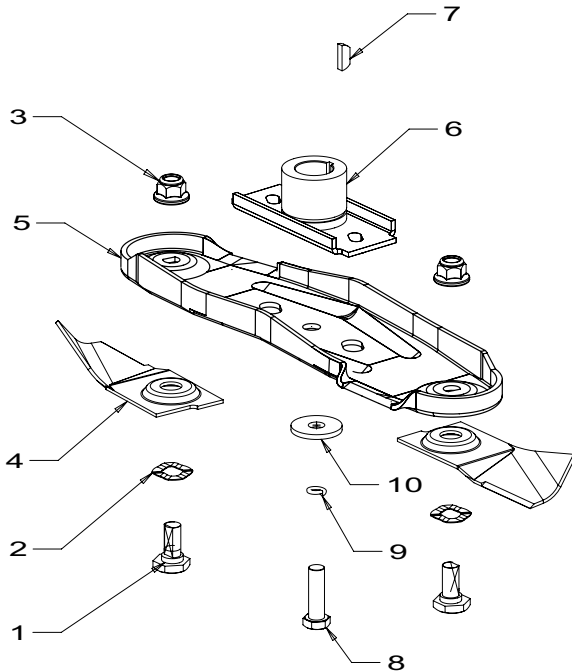


Item No	Part No	Description	Qty	Item No	Part No	Description	Qty
1	773868	Axle Assy-Rear, Complete 21" SP 1		23	569178	Pinion, LH 12 Teeth	1
		incl items 2 - 6		24	503102	Washer, Flat 12x20x0.4	2
2	573868	Axle Assy- Rear, 21" SP	1	25	503759	Circlip, 12 EXT DIN 471	4
3	580649	Spring, Leaf	1	26	580091	Bush- Pivot, Rear Axle	2
4	503373	Rivet-F/HD 3/16x27/64	3	27	573779	Belt- V 3L-978-1385 Gates	1
5	973681	Rod, Height Selector	1	28	573554	Pulley- Eng, 25Bx26.5H SP/CH	1
6	581729	Knob, Height Lever	1	29	503363	Key, Woodruff 5/8x3/16x1/4	1
7	583563	Sleeve, Rear Axle MSV SP	1	30	573394	Mount, Gearbox 21" SPV	1
8	579427	Dust Cover LH	1	31	503973	Nut, M6 Nyloc Flange	1
9	579426	Dust Cover RH	1	32	501703	Washer, Flat 6x14x1.2	1
10	503301	Washer, Flt 1/2x3/4x18G (3 x LH , 3 x RH)	6	33	501702	Screw, Set M6x16 Hex	1
11	569180	Gear, Driving- 45 Teeth	2	34	503961	Screw, Allen Cap M6x45	1
11a	569479	Spacer Gear Driving	1	35	573385	Spacer, Top SPV Drive	1
12	579070	Wheel Assy- 220mm BB MSV SP	2	36	573381	Spacer, SPV Drive	2
13	501703	Washer, Flat 6x14x1.2	6	37	503901	Bearing, 12x28x8 6001 2RSH	1
14	501815	Screw, Set M6x35 LH	3	38	573382	Pulley, Flat Idler SPV	1
14a	503794	Screw, Set M6x40 RH	3	39	573393	Spacer, Bottom SPV Drive 21"	1
15	501606	Washer, Flat 8x19x1.6	2	40	501764	Nut, M6 Nyloc 6 Thck	1
16	503831	Nut, M8 Nyloc 6 Thck	2	41	501963	Screw, Set M6x25	1
17	579207	Hub Cap, 220mm MSV SP	2	42	501703	Washer, Flat 6x14x1.2	1
18	573092	Gear Box, Variable Speed 540	1	43	503901	Bearing, 12x28x8 6001 2RSH	1
19	581092	Pawl, Pinion 950 SP	2	44	573383	Pulley, Vee Idler SPV	1
20	501213	Bearing, 12x32x10 6201 2RS	2	45	501764	Nut, M6 Nyloc 6 Thck	1
21	581093	Cap, Pinion 950 SP Plastic	2	46	573380	Plate Carrier 19" SPV Ali	1
22	569179	Pinion, RH 12 Teeth	1	47	503955	Screw, Set M10x12	1
				48	503386	Screw, Grub M8x8	1

When ordering PLEASE QUOTE PART NUMBER & Description, NOT Illustration No.
Determine right or left hand side from standing in operating position (standing at handle)

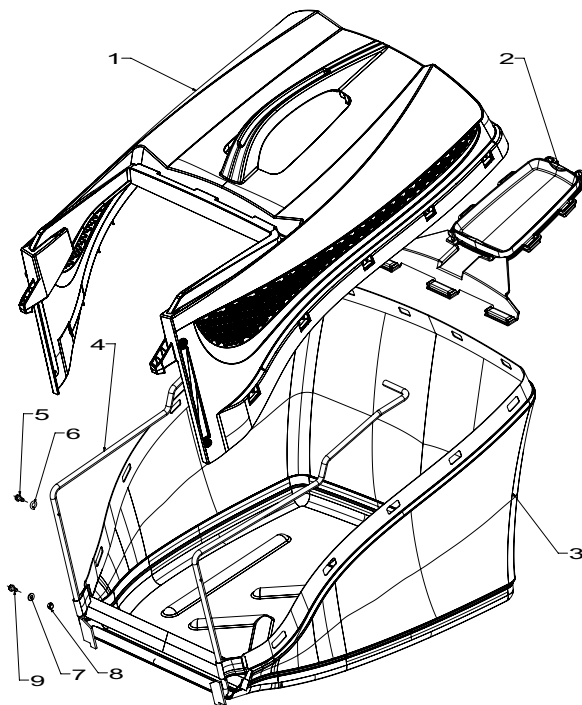


540mm QuickCut Blade Assembly



Item	Part No	Description	Qty
1	581707	Bolt-Blade	2
2	580693	Washer, Wavy 13.4 x 24.2	2
3	503672	Nut, Flange Nyloc M10	2
4	579749	Blade, Quick Cut - 540mm	2
5	580653	Carrier Blade, QuickCut	1
6	031640	Driver Assy 25mm	1
7	503363	Key, Woodruff - 5/8" x 3/16" x 1/4"	1
8	581610	Screw, Set NF 3/8" x 1.25 NYG8	1
9	500204	Washer, Spring 3/8"	1
10	503667	Washer, Flat 9.75 x 30 x 3	1
Not Illustrated			
	779749	Blade, Quick Cut - 540mm (2 per)	1
INCL ITEMS 1 - 4.			

Catcher Assembly Aero 773869



Item	Part No	Description	Qty
1	573373	Catcher, Top 19/21"	1
2	573370	Catcher, Top Insert	1
3	573375	Catcher, Bottom 19/21"	1
4	573841	Catcher, Frame 19/21"	1
5	503834	Screw, S/T M4x10	2
6	501024	Washer- Spg 4	2
7	503593	Washer, Flat 4 x 8 x 1.0	2
8	503875	Nut, M4 Hex Nyloc	2
9	501023	Screw, Set M4x20	2